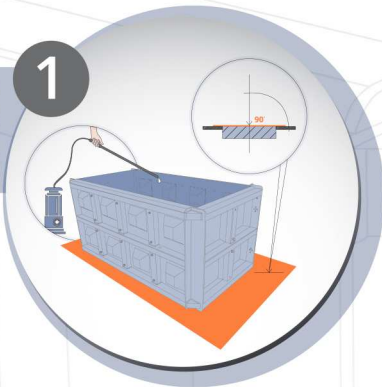


## How to use mold...

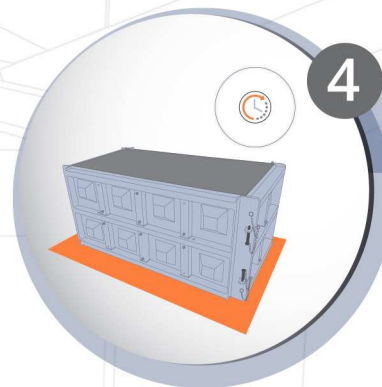
1

Place the mold on steel plate and flat / labeled surface. Apply the oil (release agent) to the inside of the mold in order to easily remove the block.



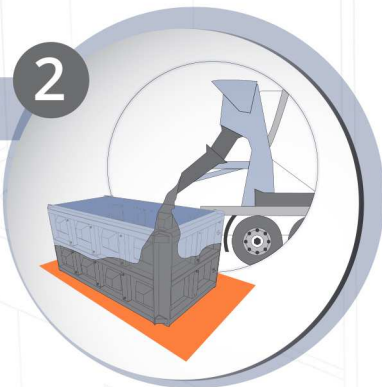
4

Wait until concrete become solid. Curing time depends on type of concrete and weather conditions.



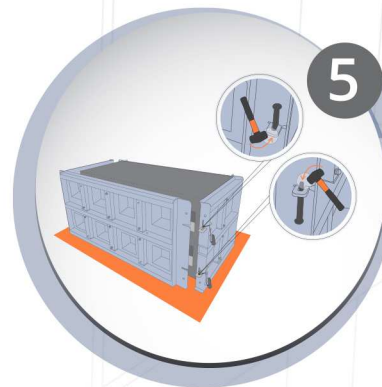
2

Pour the concrete gradually in order to proper fill the mold.



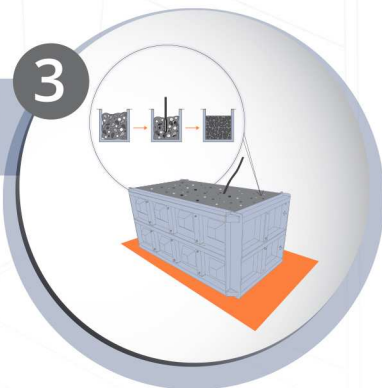
5

Start opening the mold by removing wedges.



3

During pouring the concrete must be vibrated in order to make it homogeneous and compact.



6

After opening the mold concrete block should be lifted and rotated. Concrete block is ready to be used.

